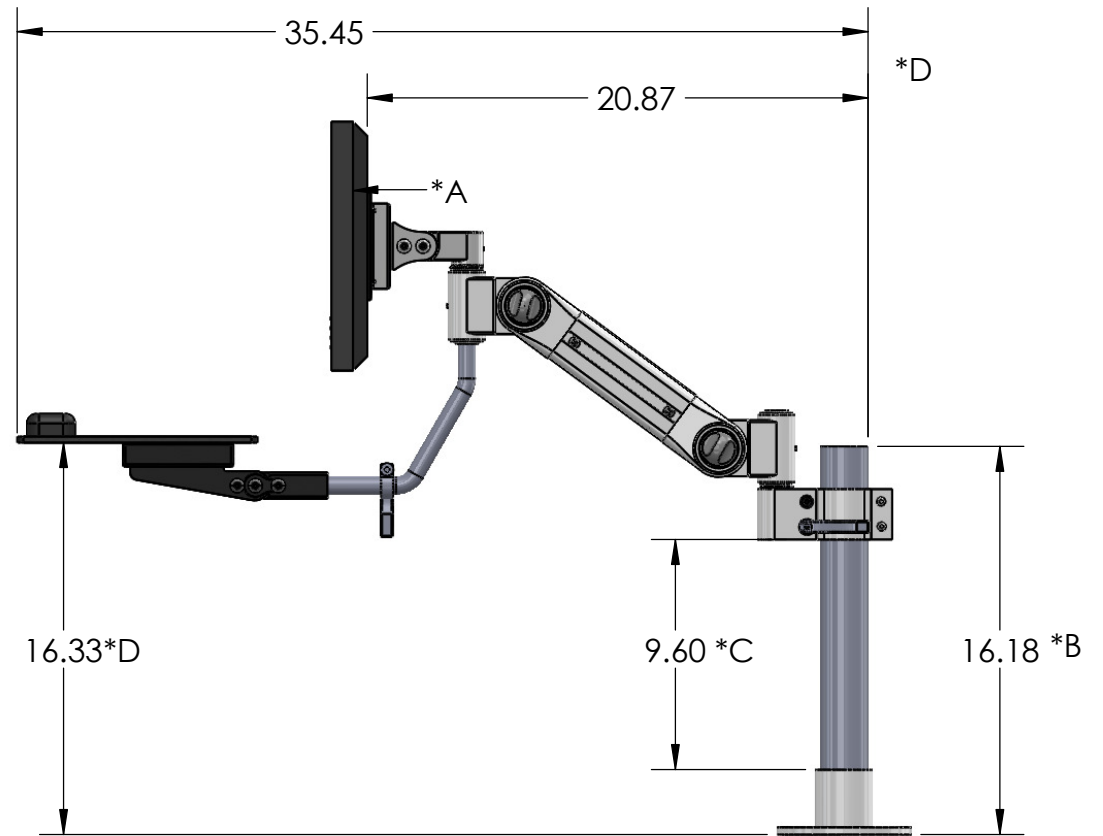
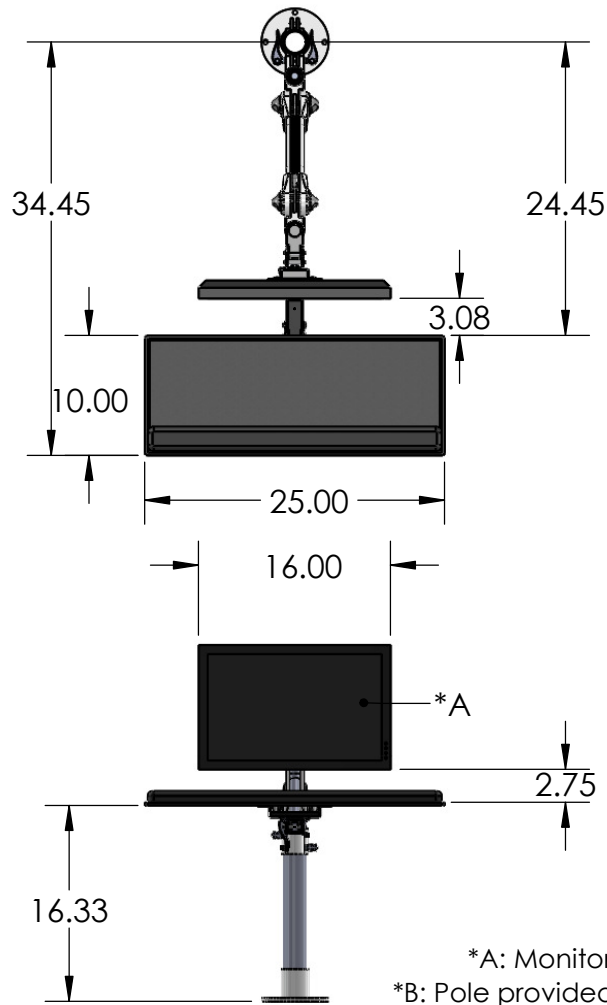


Drawing #: 60239-PA  
Pole Mounted 60239 Assembly



\*A: Monitor shown is a standard 17" monitor, shown for concept and scale. Customer monitor dimensions may vary.

\*B: Pole provided in the assembly is a standard 16" pole. Customer will cut pole to height desired when installing assembly.

\*C: Pole clamp is fully height adjustable, height shown is for drawing purposes. Customer may choose to set to a different height.

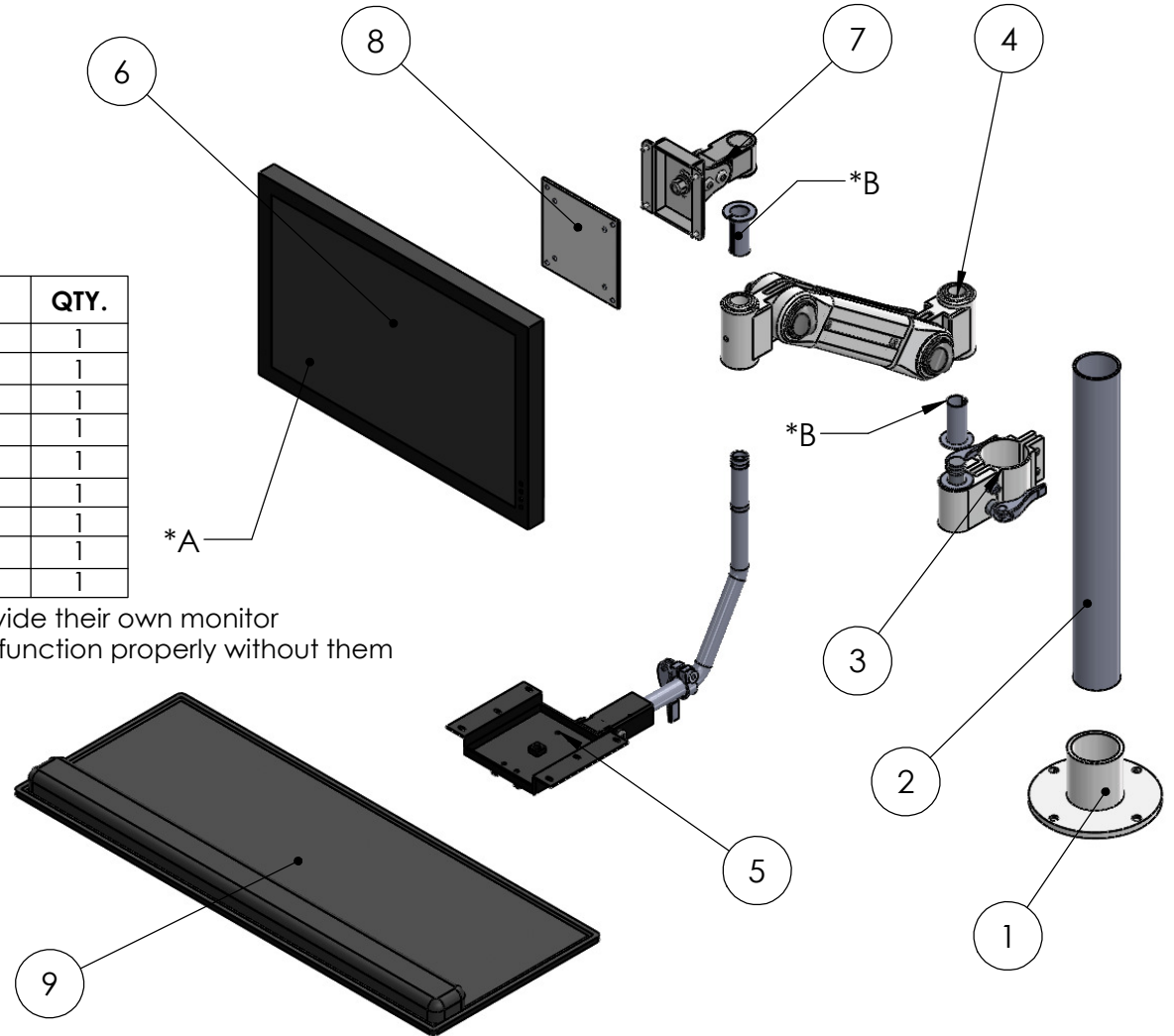
\*D: Dimensions shown are based on the angle of the 22-03 adjustable arm, dimensions may vary based on position.

**PROPRIETARY AND CONFIDENTIAL**  
THE INFORMATION CONTAINED IN THIS DRAWING IS THE SOLE PROPERTY OF CUSTOM PRODUCTS AND SERVICES. ANY REPRODUCTION IN PART OR AS A WHOLE WITHOUT THE WRITTEN PERMISSION OF CUSTOM PRODUCTS AND SERVICES IS PROHIBITED.

		UNLESS OTHERWISE SPECIFIED:		NAME	DATE				
		DIMENSIONS ARE IN INCHES		DRAWN	NJN	12/15/14	TITLE: Pole Mounted 60239		
		TOLERANCES:		CHECKED					
		FRACTIONAL ±		ENG APPR.					
		ANGULAR: MACH ± BEND ±		MFG APPR.					
		TWO PLACE DECIMAL ±		Q.A.			SIZE DWG. NO. REV		
		THREE PLACE DECIMAL ±		COMMENTS:					
		INTERPRET GEOMETRIC TOLERANCING PER:					A 60239-PA		
		MATERIAL							
NEXT ASSY	USED ON	FINISH					SCALE:	WEIGHT:	SHEET 1 OF 2
APPLICATION		DO NOT SCALE DRAWING							

Drawing #: 60239-PA  
60239 Assembly Drawing

ITEM	#60239-B Parts	DESCRIPTION	QTY.
1	25-33-B	Pole Base	1
2	23-22	16" Pole	1
3	25-40-B	Pole Bracket	1
4	22-04-5-B	15" Adjustable Arm	1
5	21-13-B	Drop Down Keyboard Tray	1
6	17-MON	17" Monitor (*A)	1
7	21-01-B	Pivot Bracket	1
8	21-02-B	Adaptor Plate	1
9	TS825CH	Keyboard Tray	1



\*A: Monitor Not included in the Assembly. Customer will provide their own monitor  
\*B: Do NOT remove plastic inserts from the arm, arm will not function properly without them

**PROPRIETARY AND CONFIDENTIAL**  
THE INFORMATION CONTAINED IN THIS DRAWING IS THE SOLE PROPERTY OF CUSTOM PRODUCTS AND SERVICES. ANY REPRODUCTION IN PART OR AS A WHOLE WITHOUT THE WRITTEN PERMISSION OF CUSTOM PRODUCTS AND SERVICES IS PROHIBITED.

		UNLESS OTHERWISE SPECIFIED:		NAME	DATE	
		DIMENSIONS ARE IN INCHES TOLERANCES: FRACTIONAL ± ANGULAR: MACH ± BEND ± TWO PLACE DECIMAL ± THREE PLACE DECIMAL ±	DRAWN	NJN	12/15/14	TITLE: 60239 Assembly Drawing
			CHECKED			
			ENG APPR.			
			MFG APPR.			
		INTERPRET GEOMETRIC TOLERANCING PER:	Q.A.			
		MATERIAL	COMMENTS:			
NEXT ASSY	USED ON	FINISH				SIZE <b>A</b>
						DWG. NO. 60239-PA
						REV
APPLICATION		DO NOT SCALE DRAWING				SCALE:
						WEIGHT:
						SHEET 2 OF 2

5

4

3

2

1

SCALE 1:8